

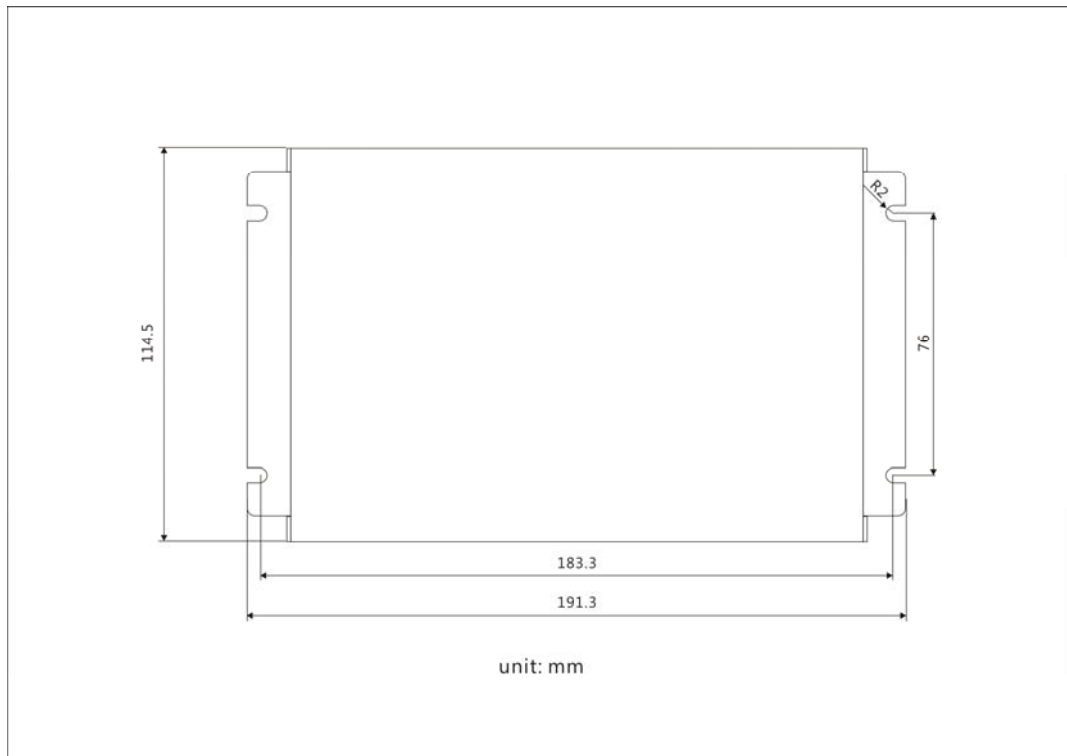
# MPC6585 Hardware Manual

V1.4

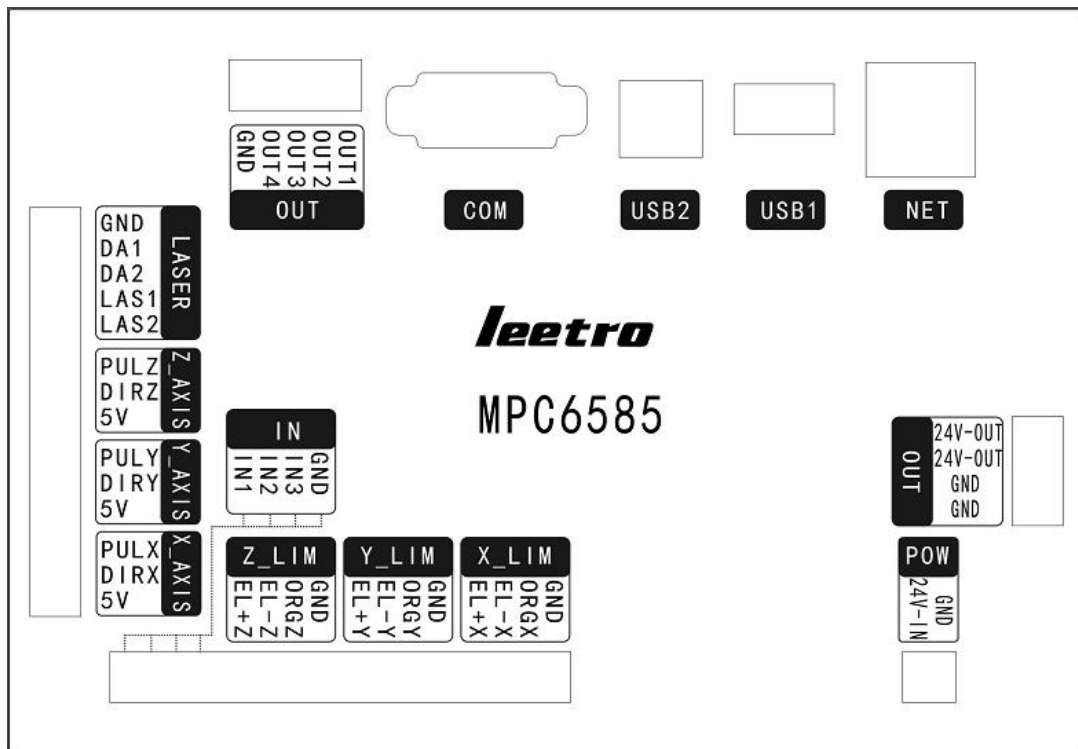
Aug 2014



## 1. Mounting



## 2. Interfaces



### 3. Pin Definitions

Group	Pin	Definition
POW	24V-IN	Power Supply, 24V+ (Input)
	GND	Power Supply, GND (Input)
X_AXIS	PULX	X-axis Pulse
	DIRX	X-axis Direction
	5V	Power Supply, 5V+
Y_AXIS	PULY	Y-axis Pulse
	DIRY	Y-axis Direction
	5V	Power Supply, 5V+
Z_AXIS	PULZ	Z-axis Pulse
	DIRZ	Z-axis Direction (PWM, with STD01)
	5V	Power Supply, 5V+
LASER	GND	Laser GND
	DA1	Laser Power Control 1
	DA2	Laser Power Control 2
	LAS1	Laser On/Off Control 1
	LAS2	Laser On/Off Control 2 (DIRZ)
X_LIM	GND	Limit GND (24V)
	ORGX	X-axis Original (Home)
	EL-X	X-axis Limit-
	EL+X	X-axis Limit+
Y_LIM	GND	Limit GND (24V)
	ORGX	Y-axis Original (Home)
	EL-X	Y-axis Limit-
	EL+X	Y-axis Limit+
Z_LIM	GND	Limit GND (24V)
	ORGX	Z-axis Original (Home)
	EL-X	Z-axis Limit-
	EL+X	Z-axis Limit+
IN	IN1	Signal Input 1, Pedal
	IN2	Signal Input 2, Uncapping Protection
	IN3	Signal Input 3, Water Chilling
	GND	Input GND (24V)
OUT	OUT1	Signal Output 1, Air-blow
	OUT2	Signal Output 2 (Finished)
	OUT3	Signal Output 3 (PUL-FeedEX/Reserved)
	OUT4	Signal Output 4 (DIR-FeedEX/Reserved)
	GND	Output GND (24V)
OUT	24V-OUT	Power Supply, 24V+ (Output)
	24V-OUT	Power Supply, 24V+ (Output)
	GND	Power Supply, GND (Output)

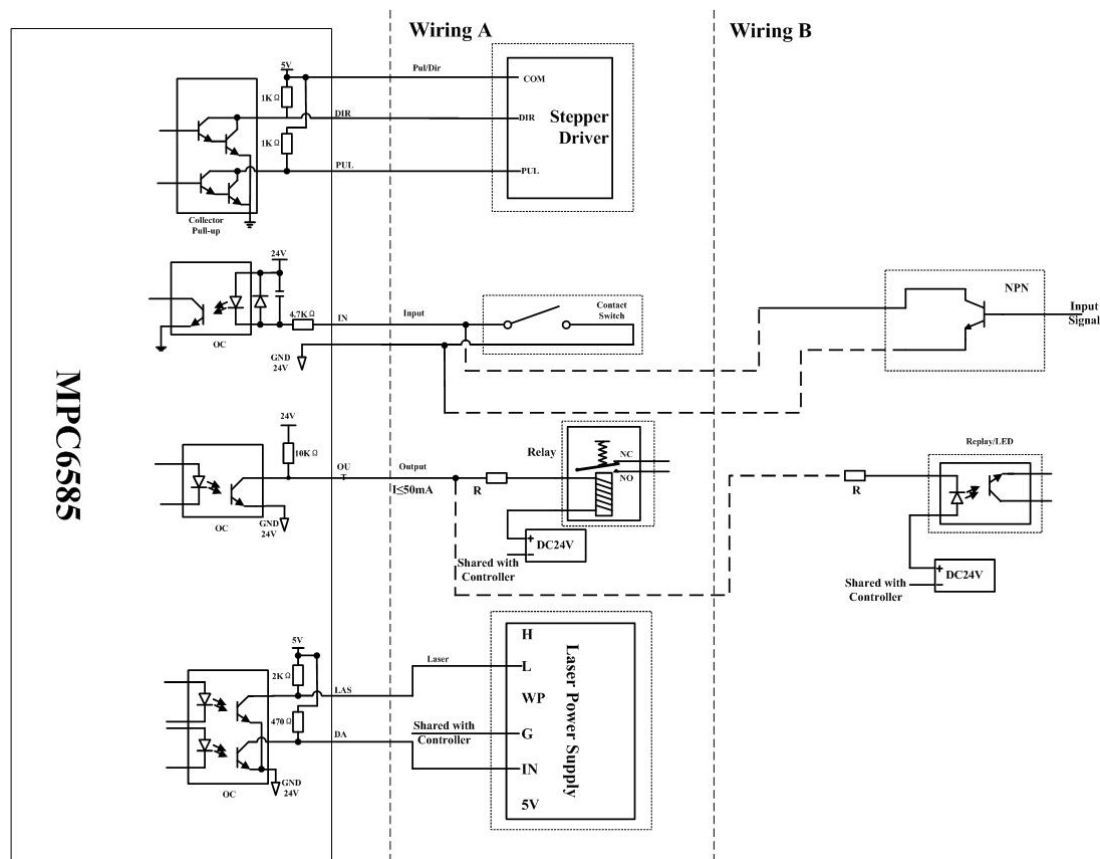
	GND	Power Supply, GND (Output)
COM	-	Communication Port for Operation Panel
USB1	-	USB Master, to Flash Memory Disk
USB2	-	USB Slave, to the PC
NET	-	LAN port, to the PC/Router

## 4. Circuit Diagram

### Notice

- Make sure MPC6585 steel case is well connected with the machine chassis.
- 24V-OUT is the output port. It is not for input!!!

## 5. Wiring



**6. PAD04A/C panel (unit: mm)**

